

Barudan

PORTABLE TABLE TYPE
MONOGRAM MACHINE

MODEL **BEAT-IV**

PARTS LIST

TABLE TYPE • SIMPLE STYLE MONOGRAM MACHINE

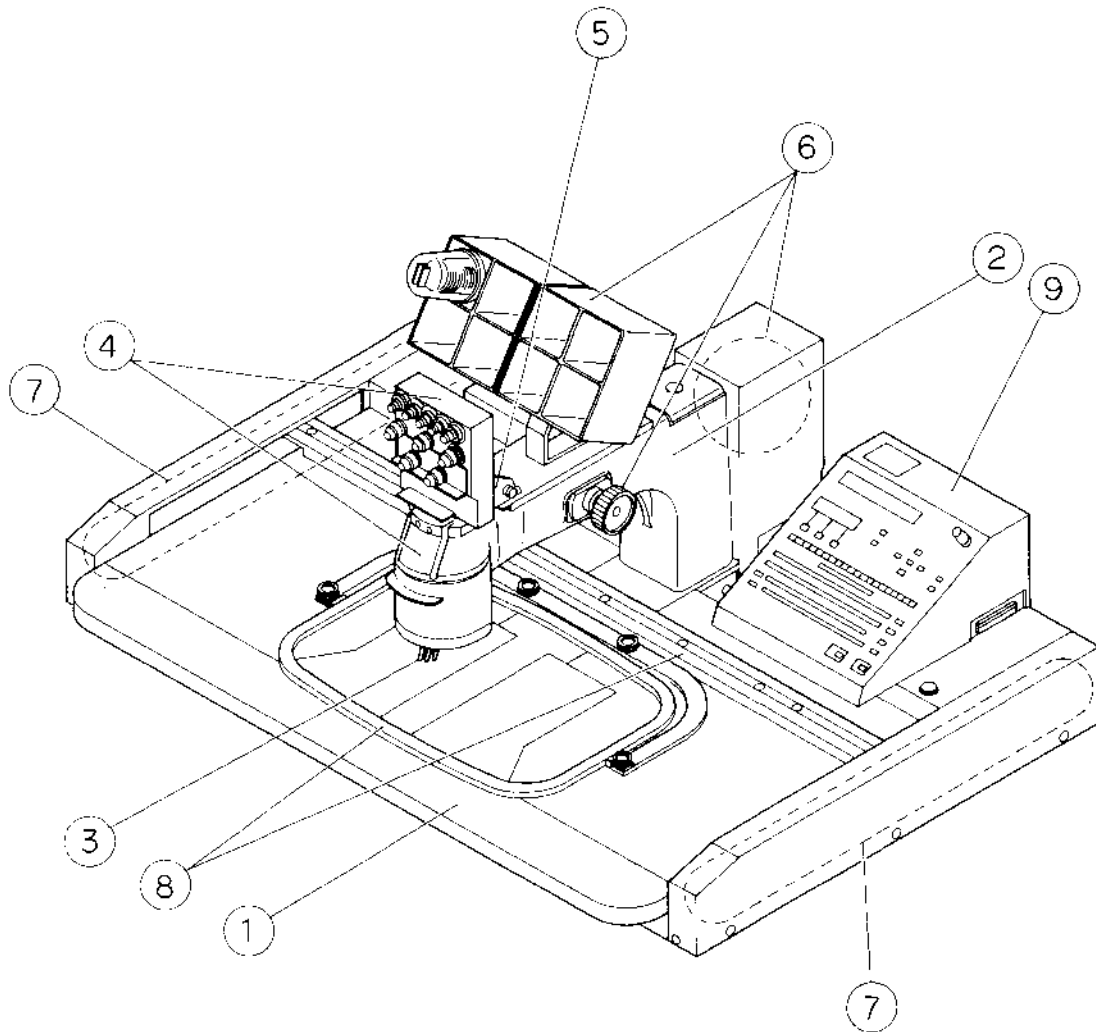
BEAT — 4

PARTS LIST

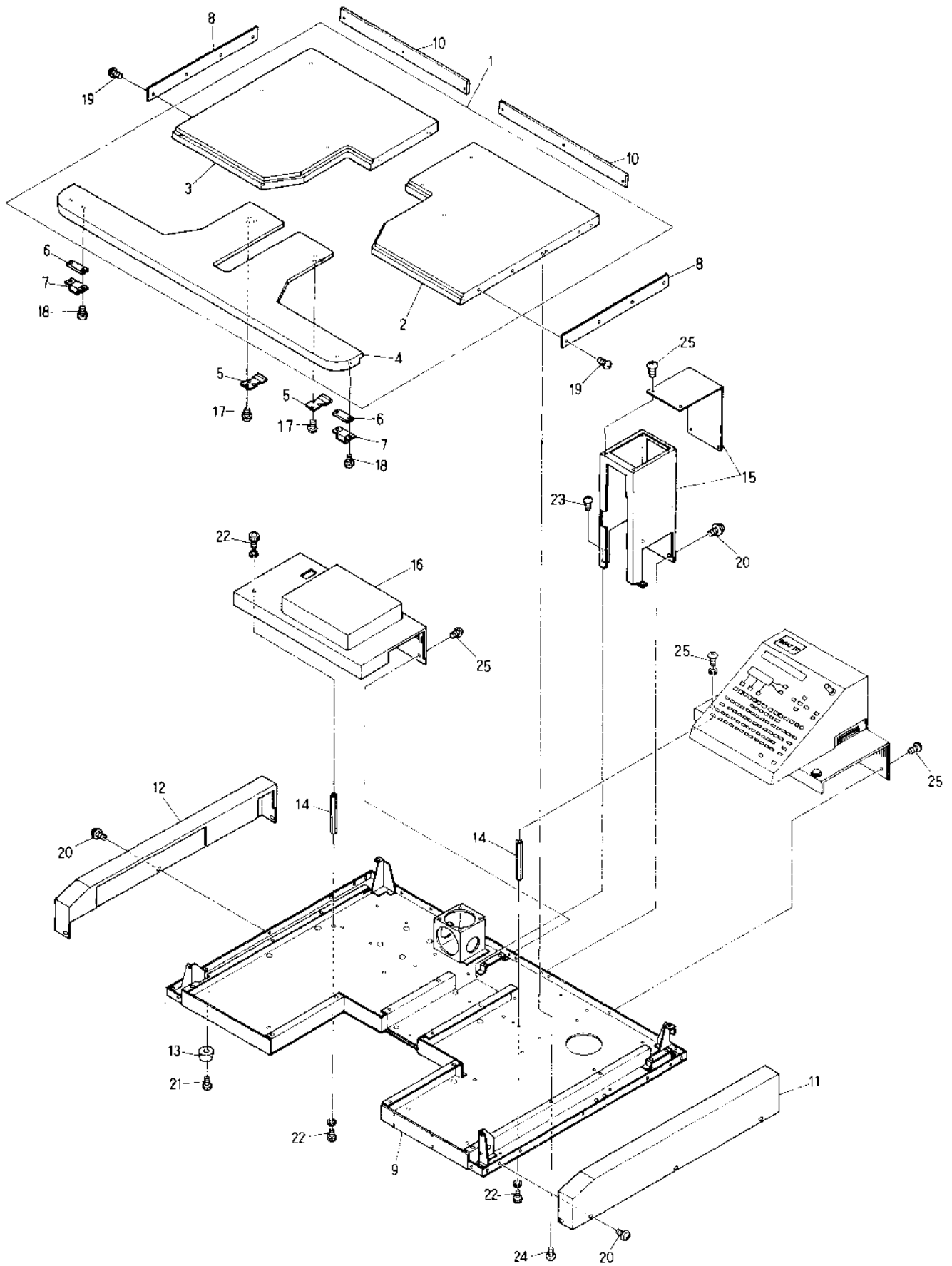
I N D E X

ITEM No.	Page No.
Machine layout	1
①Frame • Table	2
②Sewing head	4
③Needle bar • Take up lever mechanism	6
④Thread guide mechanism (5•7)	8
⑤Jamp mechanism	10
⑥Drive mechanism and thread stand	12
⑦Pantograph drive mechanism (H)	14
⑧Pantograph drive mechanism (V)	16
⑨Control system	18

Machine layout



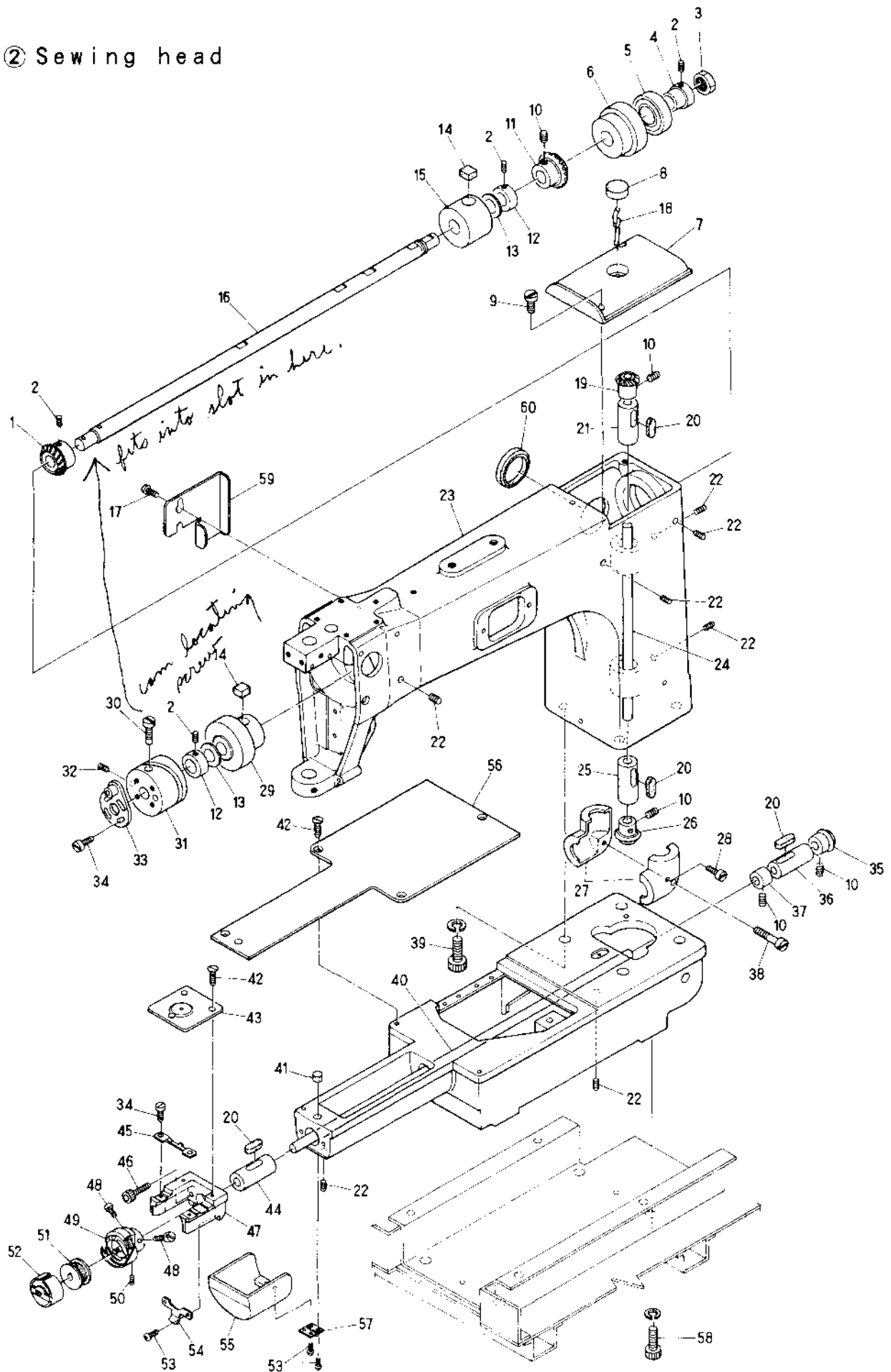
① Frame • Table



① Frame - Table

ITEM	PART No.	LIST No.	DESCRIPTION	Q'TY	REMARK
1	29453Y0	MY 2 9 4 5 3 0	BEAT-4 Table A, B, C	1	
2	29438Y0	MY 2 9 4 3 8 0	Table (A)	1	
3	29439Y0	MY 2 9 4 3 9 0	Table (B)	1	
4	29440Y0	MY 2 9 4 4 0 0	Table (C)	1	
5	29441Y0	MY 2 9 4 4 1 0	Stopper	2	
6	29458Y0	MY 2 9 4 5 8 0	Magnet catch spacer	2	
7	912H4	A 9 0 1 2 1 7 4	Magnet catch C-100-B-2	2	
8	29436Y0	MY 2 9 4 3 6 0	H-axis Cover	2	
9	29402Y0	MY 2 9 4 0 2 0	Base plate Assy	1	
10	29454Y0	MY 2 9 4 5 4 0	Protected cover	2	
11	29433Y0	MY 2 9 4 3 3 0	Side cover (R)	1	
12	29434Y0	MY 2 9 4 3 4 0	Side cover (L)	1	
13	912L5	A 9 0 1 2 2 1 5	Rubber legs	1 2	
14	29435Y0	MY 2 9 4 3 5 0	Cover fixing stay	2	
15	29432Y0	MY 2 9 4 3 2 0	DC motor cover	1	
16	29466Y0	MY 2 4 4 6 6 0	Power source cover	1	
17			Binding screw M5×10		
18			Binding screw M3×15		
19			Pan screw M4×10		
20			Screw with washer M4×10		
21			Hex. socket bolt M5 ×20		
22			Hex. socket bolt M4×10		
23			Truss screw M4×10		
24			Pan screw M8×25		
25			Screw M4×10		

② Sewing head



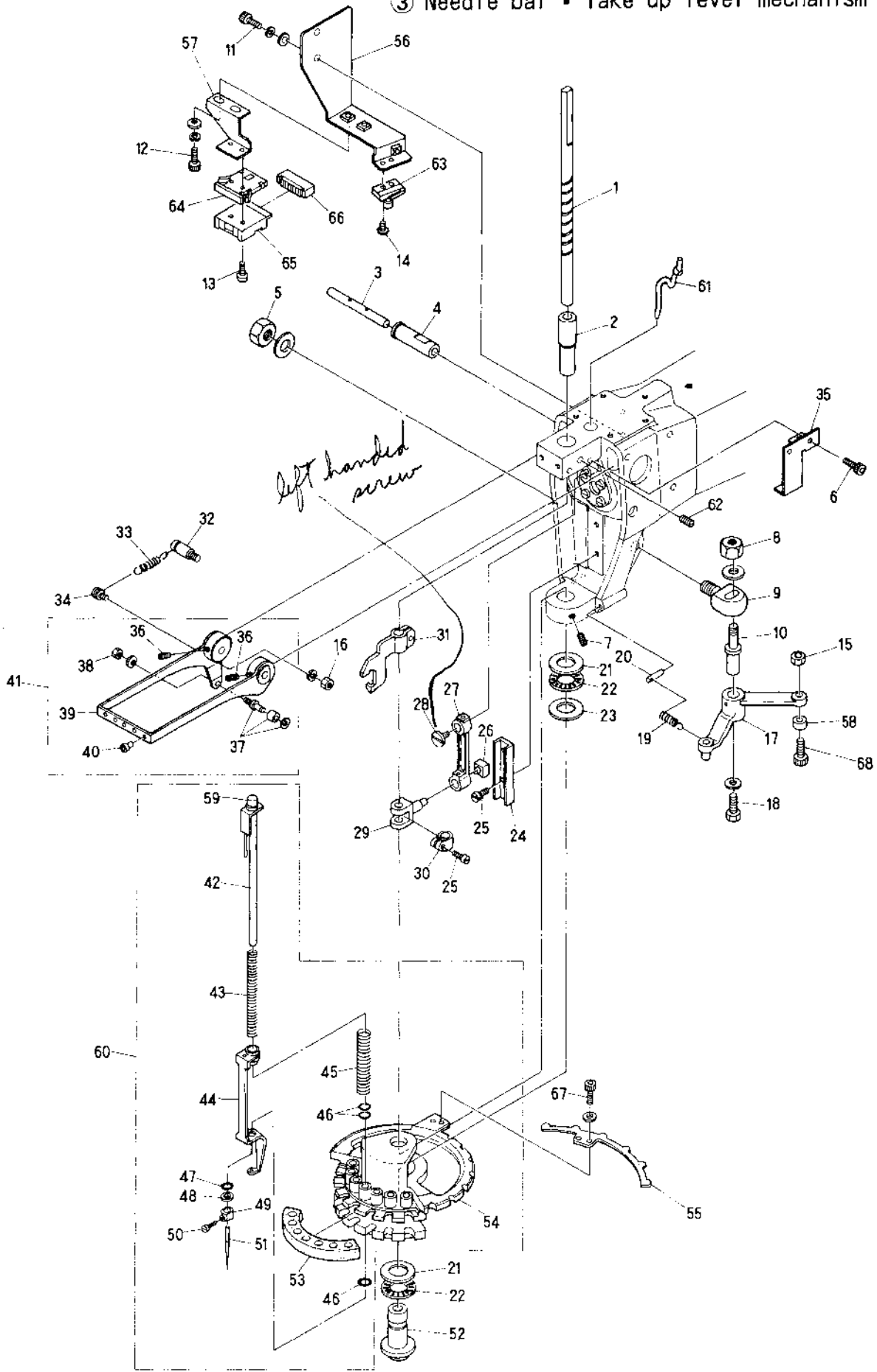
② Sewing head

ITEM	PART No.	LIST No.	DESCRIPTION	QTY	REMARK
1	29444Y0	MY 2 9 4 4 4 0	Handle gear No.1	1	
2			Hex. socket set screw M6×6		
3	2211L00	KL 2 2 0 1 1 0	Arm shaft adjusting nut M4	1	
4	2209L00	KL 2 2 0 0 9 0	Arm shaft bearing collar (Rear)	1	
5	91017	A 9 0 1 0 0 1 7	Bearing (6004ZZ)	1	
6	2204L00	KL 2 2 0 0 4 0	Arm shaft bearing case	1	
7	29460Y0	MY 2 9 4 6 0 0	Arm top cover	1	
8	2215L00	KL 2 2 0 1 5 0	Oil felt D	1	
9			Binding screw M4×10		
10			Screw (SM1/4 40×4)		
11	2213F	KF 2 2 0 1 3 0	Bevel gear (Top shaft)	1	
12	2208L00	KL 2 2 0 0 8 0	Arm shaft collar	2	
13	2309P00	HP 2 3 1 3 9 0	Thrust washer	2	
14	2213L00	KL 2 2 0 1 3 0	Oil felt B	2	
15	2203L00	KL 2 2 0 0 3 0	Arm shaft metal (Middle)	1	
16	2200L00	KL 2 2 0 0 0 0	Arm shaft	1	
17			Binding screw M4×8		
18			Oil core	1	
19	2246F	KF 2 2 0 4 6 0	Bevel gear (Vertical shaft upper)	1	
20	2214L00	KL 2 2 0 1 4 0	Oil felt C	4	
21	2205L00	KL 2 2 0 0 5 0	Arm shaft (upright) metal (upper)	1	
22			Hex. socket set screw		
23	29400Y0	MY 2 9 4 0 0 0	BEAT-4 Assy Head (7)	1	
	29401Y0	MY 2 9 4 0 1 0	BEAT-4 Assy Head (5)	1	
24	2201L00	KL 2 2 0 0 1 0	Arm shaft	1	
25	2206L00	KL 2 2 0 0 6 0	Arm shaft (upright) metal (Lower)	1	
26	2247F	KF 2 2 0 4 7 0	Bevel gear (Arm shaft (upright) lower)	1	
27	2227F	KF 2 2 0 2 7 0	Gear cover set	1	
28			Screw (SM15/64 28×24)		
29	2202L00	KL 2 2 0 0 2 0	Arm shaft metal (Front)	1	
30	2342F	KF 2 3 0 4 2 0	Cam set screw	1	
31	2341N00	KN 2 3 0 4 1 0	Take up lever cam G	1	
32			Screw (SM15/64 28×10)		
33	2343N00	KN 2 3 0 4 3 0	90° Clamping	1	
34	91207	A 9 0 1 2 0 0 7	Screw	6	
35	2248F	KF 2 2 0 4 8 0	Bevel gear (Bottom shaft)	1	
36	2207L00	KL 2 2 0 0 7 0	Rotating hook shaft metal (Rear)	1	
37	2229F	KF 2 2 0 2 9 0	Rotating hook shaft collar	1	
38			Screw (SM9/32 20×38)		
39			Hex. socket bolt		
40	2221C	KC 2 2 0 2 1 0	Rotating hook shaft	1	
41	2212L00	KL 2 2 0 1 2 0	Oil felt (A)	1	
42	259CF	KF 2 5 0 9 0 0	Throat plate (SM11/64 40×7)	6	
43	2513AD1	MA 2 5 0 1 3 1	Throat plate	1	
44	2223F	KF 2 2 0 2 3 0	Rotating hook shaft metal (Front)	1	

② Sewing head

ITEM	PART No.	LIST No.	DESCRIPTION	QTY	REMARK
45	2251A	MA 2 2 0 5 1 0	Rotating hook bobbin case holder position	1	
46			Hex. socket bolt M5×15		
47	2113L00	KL 2 1 0 1 3 0	Throat plate bracket (SRE)	1	
48			Screw (SM11/65 40×5)		
49	2278F	KF 2 2 0 7 8 0	Rotating hook complete HSL-A-MIQ (TS)	1	
	2275F00	KF 2 2 0 7 5 0	Rotating hook complete HKS 12-RYNW	1	
50			Screw (SM11/65 40×4)	1	
51	2241F	KF 2 2 0 4 1 0	Bobbin	1	
52	2244F00	KF 2 2 0 4 4 0	Bobbin case (SC35-NS)	1	
53			Pan screw M3×6		
54	2548C01	KC 2 5 0 4 8 1	Barrel bed cover latch spring	1	
55	2547C01	KC 2 5 0 4 7 1	Barrel bed cover	1	
56	2191G01	KG 2 1 0 9 1 1	Cylinder bed cover	1	
57	91227	A 9 0 1 2 0 2 7	Butterfly nut (TH-TM72) (JMC-AT)	1	
58			Hex. socket bolt M8×25		
59	2505L00	KL 2 5 0 0 5 0	Arm side cable cover	1	
60	91463	A 9 0 1 4 0 6 3	Grommet C-30-SC-36A	1	

③ Needle bar - Take up lever mechanism



③ Needle bar - Take up lever mechanism

(N=Needle Qty)

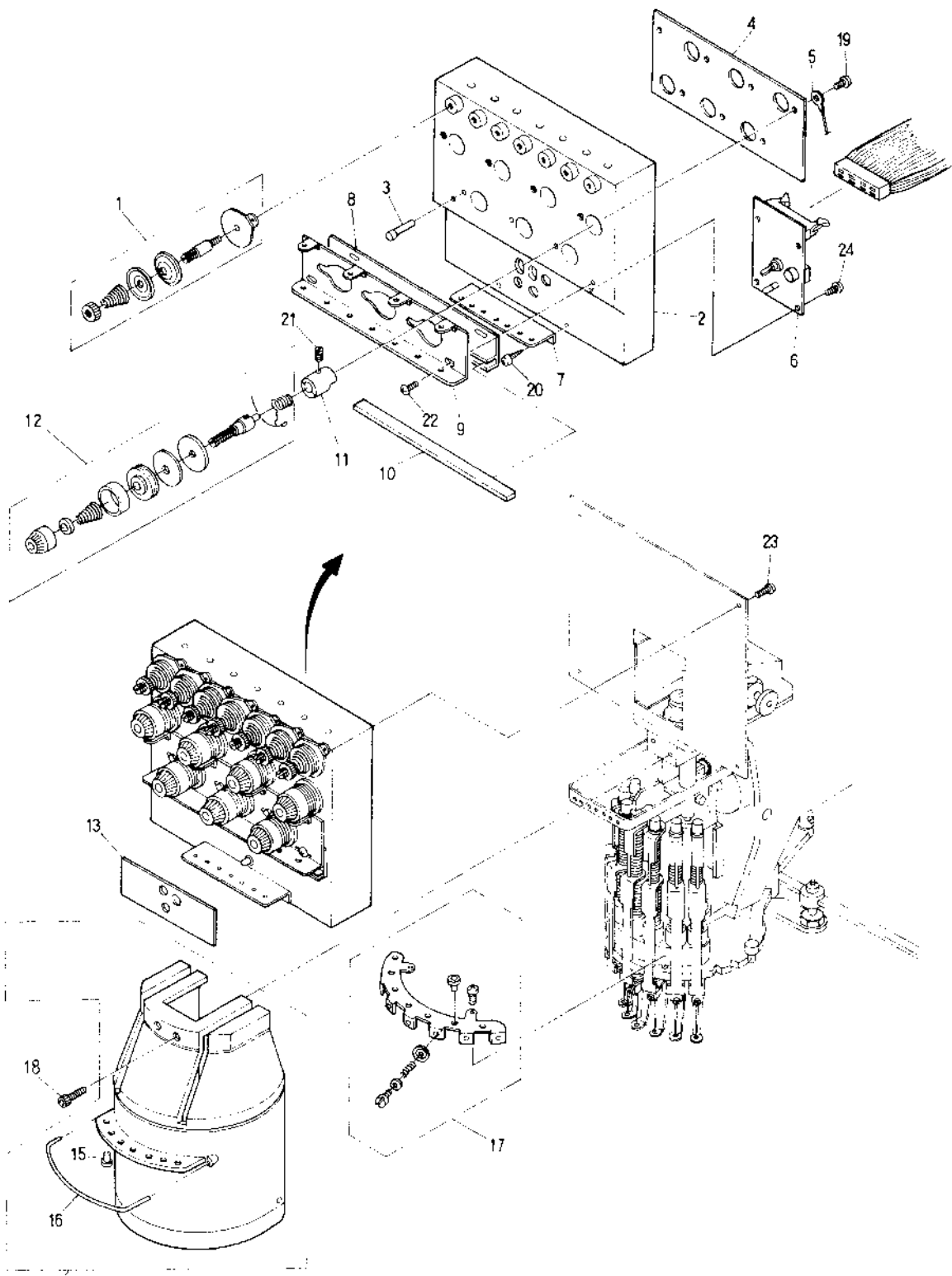
ITEM	PART No.	LIST No.	DESCRIPTION	QTY	REMARK
1	2300L00	KL 2 3 0 0 0 0	Needle bar driver shaft	1	
2	2332F	KF 2 3 0 3 2 0	Driver shaft pipe (upper)	1	
3	2351F02	KF 2 3 0 5 1 2	Take up lever shaft	1	
4	2352F01	KF 2 3 0 5 2 1	Take up lever metal	1	
5			Hex. nut M10		
6			Hex. socket bolt M4×8		
7			Hex. socket set screw M6×0.75×8		
8			Hex. nut M8		
9	2365F	KF 2 3 0 6 5 0	Lock lever bracket	1	
10	2363F	KF 2 3 0 6 3 0	Lock lever shaft	1	
11			Hex. socket bolt M4×10		
12			Hex. socket bolt M4×8		
13			Binding screw M3×6		
14			Pan screw M2×8		
15			Hex. nut M6		
16			Hex. nut M4		
17	2361C	KG 2 3 0 6 1 0	US Lock lever	1	
18			Hex. bolt M5×10		
19	2315L00	KL 2 3 0 1 5 0	Lock lever spring	1	
20	2367F	KF 2 3 0 6 7 0	Lock lever spring pin	1	
21	91123	A 9 0 1 1 0 2 3	Thrust bearing outer (GS1528)	2	
22	91121	A 9 0 1 1 0 2 1	Thrust bearing (NT8-1528)	2	
23	91122	A 9 0 1 1 0 2 2	Thrust washer (AS 1582)	1	
24	23D1P00	HP 2 3 1 3 1 0	Guide rail	1	
25			Screw (SM9/64 40×8)		
26	23D7P00	HP 2 3 1 3 7 0	Square ball	1	
27	23D0P01	HP 2 3 1 3 0 1	Clank rod	1	
28	2345F	KF 2 3 0 4 5 0	90° Clank	1	
29	23C9P00	HP 2 3 1 2 9 0	Needle bar driving fork	1	
30	2348F	KF 2 3 0 4 8 0	Needle shaft clamp	1	
31	2314L00	KL 2 3 0 1 4 0	Needle bar driver	1	
32	2302L00	KL 2 3 0 0 2 0	Take up lever spring shaft	1	
33	2303L00	KL 2 3 0 0 3 0	Take up lever spring	1	
34	2301L00	KL 2 3 0 0 1 0	Take up lever spring	1	
35	2317L00	KL 2 3 0 1 7 0	Oil core bracket	1	
36			Hex. socket set screw M5×6		
37	2350F	KF 2 3 0 5 0 0	Take up lever roller assy	1	
38			Hex. nut 7/32		
39	2307L00	KL 2 3 0 0 7 0	Take up lever (SRE-7)	1	
	2308L00	KL 2 3 0 0 8 0	Take up lever (SRE-5)	1	
40	2358F	KF 2 3 0 5 8 0	Ceramic thread guide	N×1	
41	2319L00	KL 2 3 0 1 9 0	Take up lever Assy (SRE-7)	1	
	2320L00	KL 2 3 0 2 0 0	Take up lever Assy (SRE-5)	1	
42	2301F	KF 2 3 0 0 1 0	Needle bar set	N×1	
43	2318F	KF 2 3 0 1 8 0	Needle bar spring	N×1	

③ Needle bar • Take up lever mechanism

(N=Needle Q'ty)

ITEM	PART No.	LIST No.	DESCRIPTION	Q'TY	REMARK
4 4	2302G	KG 2 3 0 0 2 0	Pressure foot	N×1	
4 5	2321F	KF 2 3 0 2 1 0	Needle bar spring	N×1	
4 6	2392F	KF 2 3 0 9 2 0	O-Ring (L): <i>7 mm</i>	N×3	
4 7	2391F	KF 2 3 0 9 1 0	O-Ring (S): <i>6 mm</i>	N×1	
4 8	2393F	KF 2 3 0 9 3 0	Specer <i>white plastic ring</i>	N×1	
4 9	2323F	KF 2 3 0 2 3 0	Needle clamp	N×1	
5 0	2324F	KF 2 3 0 2 4 0	Needle clamp screw (SM9/64)	N×1	
5 1	2325F	KF 2 3 0 2 5 0	Needle DB K5 11	N×1	
5 2	2313L00	KL 2 3 0 1 3 0	Driver shaft under metal	1	
5 3	2311L00	KL 2 3 0 1 1 C	Needle bar turret plate felt	1	
5 4	29461Y0	MY 2 9 4 6 1 C	Needle bar turret plate BEAT 4 (7)	1	
5 5	29451Y0	MY 2 9 4 5 1 0	Plate dog	1	
5 6	29452Y0	MY 2 9 4 5 2 0	Needle position switch stay	1	
5 7	29455Y0	MY 2 9 4 5 5 0	Rotary switch stay	1	
5 8	29456Y0	MY 2 9 4 5 6 0	Limit switch eccentric collar	1	
5 9	2315F	KF 2 3 0 1 5 0	Needle bar cap	N×1	
6 0	29462Y0	MY 2 9 4 6 2 0	Turret plate assy BEAT-4 (7)	1	
	29463Y0	MY 2 9 4 6 3 0	Turret plate assy BEAT 4 (5)	1	
6 1			Oil core	1	
6 2			Screw (M6×6)		
6 3	4511C	KC 4 5 0 1 1 0	Limit switch S 5GL2	1	
6 4	96403	A 9 0 6 4 0 0 3	Fixing plate A-7AS-M	1	
6 5	96405	A 9 0 6 4 0 0 5	Switch unit A-7AS 206	1	
6 6	96404	A 9 0 6 4 0 0 4	Connector VRT CP	1	
6 7			Hex. socket bolt M3×10		
6 8			Hex. socket bolt M6×25		

④ Thread guide mechanism (5-7)

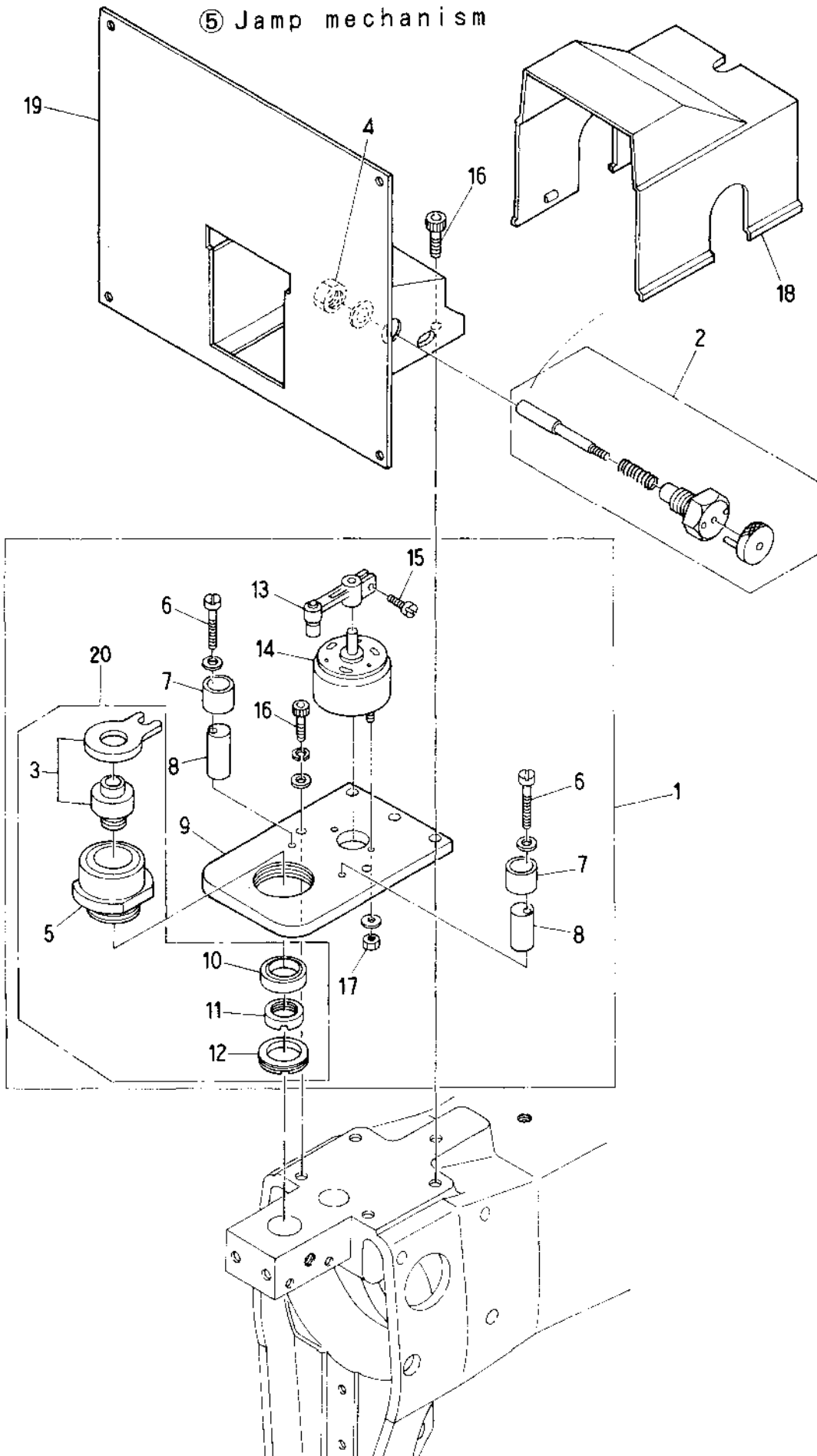


④ Thread guide mechanism (5-7)

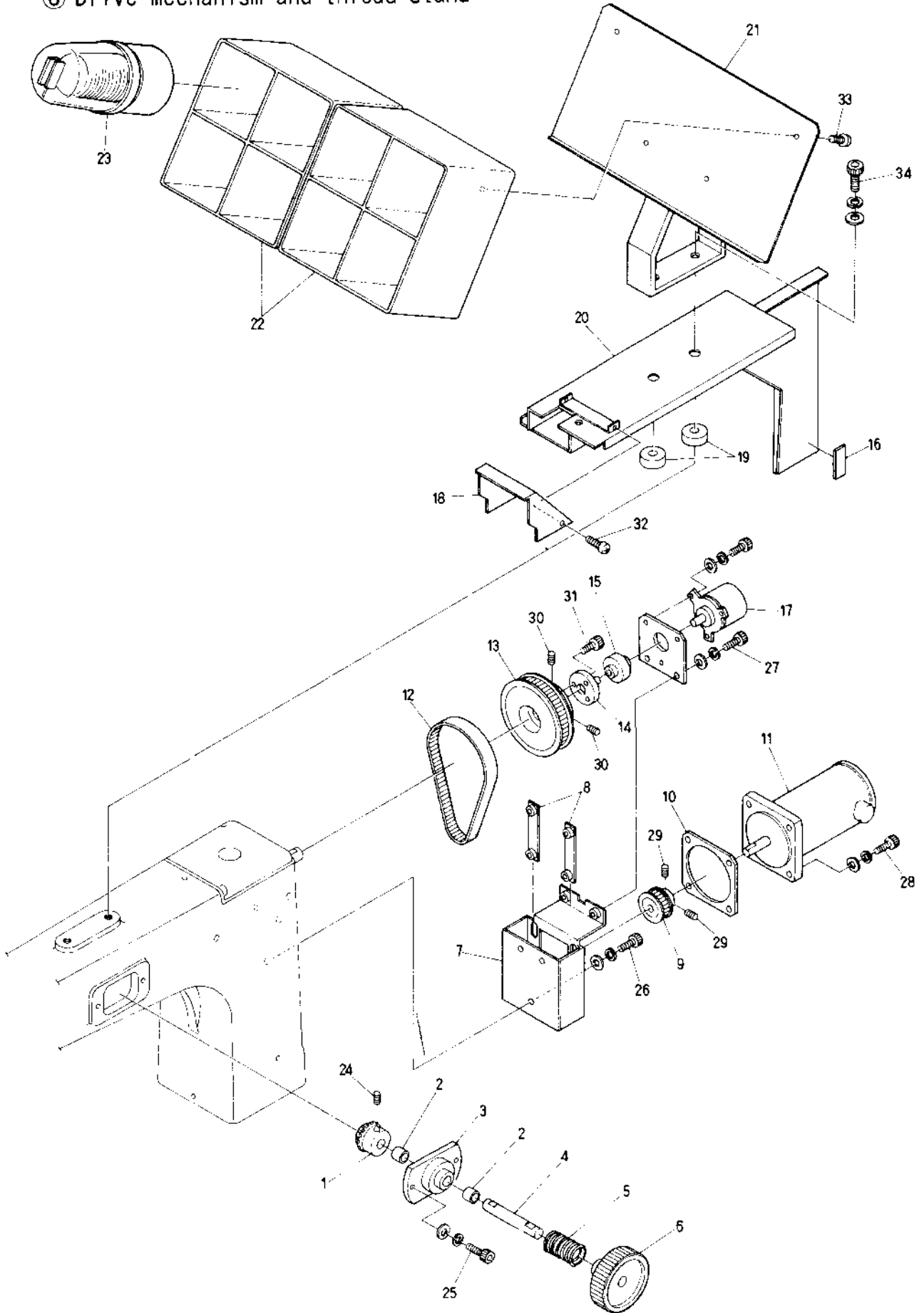
(N=Needle Qty)

ITEM	PART No.	LIST No.	DESCRIPTION	QTY	REMARK
1	24A2G	KG 2 4 1 0 2 0	Upper tension unit complete	N×1	
2	5457N00	KN 5 4 0 5 7 0	Tension base (5)	1	
	5458N00	KN 5 4 0 5 8 0	Tension base (7)	1	
3	24B6P00	HP 2 4 1 1 6 0	Upper thread detection pin	N×1	
4	24D7PC1	HP 2 4 1 3 7 1	Tension earth plate (5)	1	
	24D8P01	HP 2 4 1 3 8 1	Tension earth plate (7)	1	
5	24D9P00	HP 2 4 1 3 9 0	Tension earth cable	1	
6	55X0160	EBN 0 1 3 7 0	BEAT-4-005 Thread cutting sensorium board	1	
7	24B9P00	HP 2 4 1 1 9 0	Second thread guide plate (5)	1	
	24C0PC0	HP 2 4 1 2 0 0	Second thread guide plate (7)	1	
8	24E5P00	HP 2 4 1 4 5 0	Thread guide felt fixing plate (5)	1	
	24E6P00	HP 2 4 1 4 6 0	Thread guide felt fixing plate (7)	1	
9	24B7P00	HP 2 4 1 1 7 0	First thread guide (5)	1	
	24B8P00	HP 2 4 1 1 8 0	First thread guide (7)	1	
10	24E7P00	HP 2 4 1 4 7 0	Thread guide felt (5)	1	
	24E8P00	HP 2 4 1 4 8 0	Thread guide felt (7)	1	
11	24E5P00	HP 2 4 1 1 5 0	Tension base (with screw)	N×1	
12	24E1P00	HP 2 4 1 4 1 0	Dial type tension unit complete	N×1	
13	24ECU00	KU 2 4 1 4 0 0	Tension base label	1	
14	2501L00	KL 2 5 0 0 1 0	Sewing head cover (SRE-5)	1	
	2500L00	KL 2 5 0 0 0 0	Sewing head cover (SRE-7)	1	
15	2493F01	KF 2 4 0 9 3 1	Thread guide (alumina) $\phi 11$	N×1	
16	2558P01	HP 2 5 0 5 8 1	Sewing head cover thread guide	1	
17	2505P00	HP 2 5 0 0 5 0	Thread end trap unit assy (5)	1	
	2501G	KG 2 5 0 0 1 0	Thread end trap unit assy (7)	1	
18			Hex. socket bolt M5×10		
19			Pan screw M3×4		
20			Tapping screw M3.5×8		
21			Set screw (SM11/64 40×5.5)		
22			Truss screw M4×6		
23			Pan screw M4×10		
24			Truss screw M3×8		

⑤ Jamp mechanism



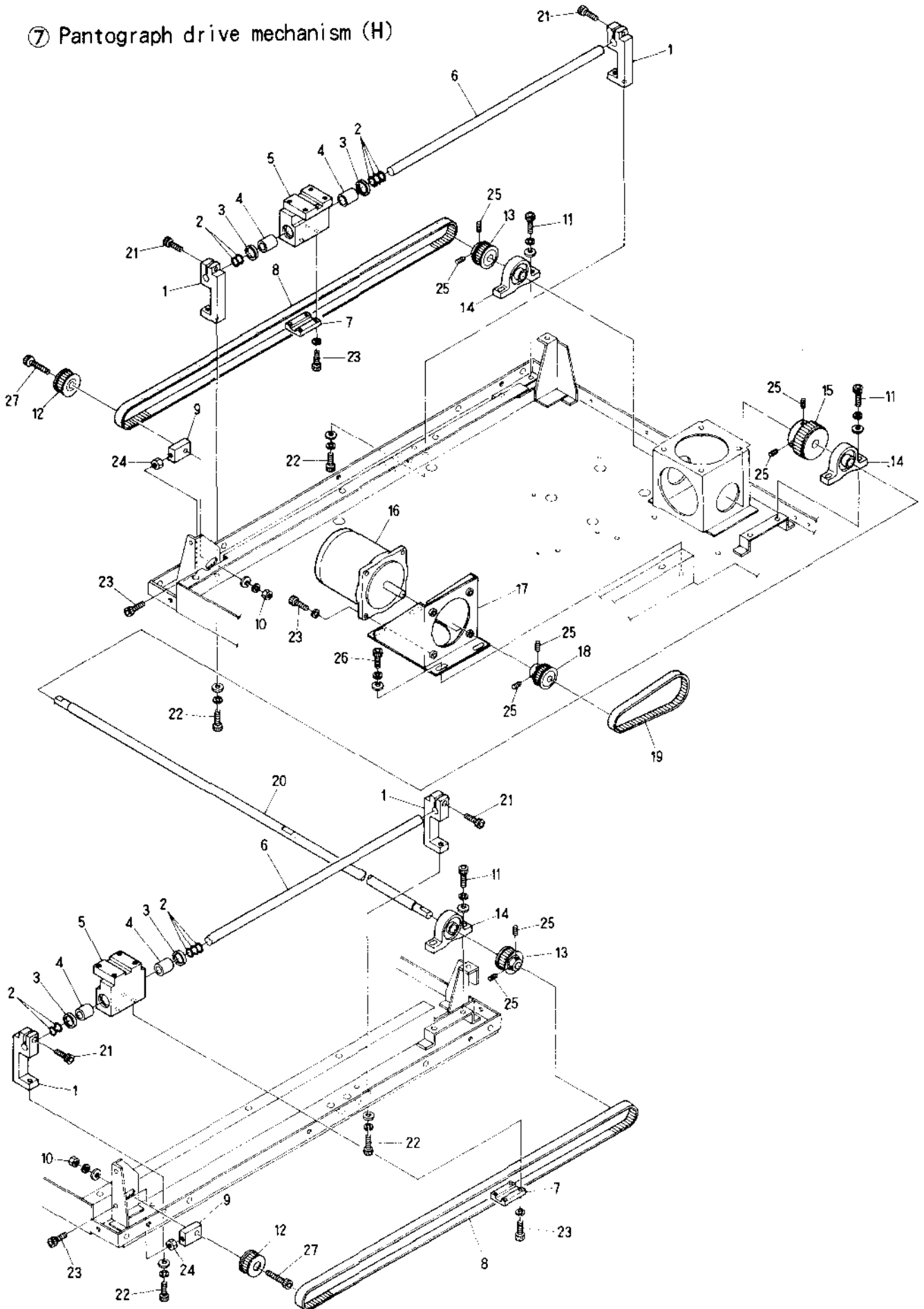
⑥ Drive mechanism and thread stand



⑥ Drive mechanism and thread stand

ITEM	PART No.	LIST No.	DESCRIPTION	Q'TY	REMARK
1	29445Y0	MY294450	Handle gear No.2	1	
2	91277	A9012077	DU Bush (MB1010DU)	2	
3	29443Y0	MY294430	Handle shaft support	1	
4	29446Y0	MY294460	Handle shaft	1	
5	29447Y0	MY294470	Handle spring	1	
6	29442Y0	MY294420	Handle HPK-63×C10	1	
7	29429Y0	MY294299	DC Motor mount	1	
8	29426Y0	MY294260	DC Motor nut plate	2	
9	29430Y0	MY294300	DC Motor pulley	1	
10	29427Y0	MY294270	Spacer for DC motor	1	
11	55X0010	E BN 01200	DC Motor DTM-35400	1	
12	920C2	A9020122	Timing belt 100S5M325	1	
13	29431Y0	MY294310	DC Motor pulley	1	
14	29428Y0	MY294280	Adapter for encoder	1	
15	5124C	KC510240	Rateral coupling ML27-6	1	
16			Magic tape 15×30	1	
17	5121T00	MT510210	Position corder (LBJ-007-600)	1	
18	29437Y0	MY294370	Solenoid cover	1	
19	29450Y0	MY294500	Washer	2	
20	29449Y0	MY294490	Thread stand cover	1	
21	29448Y0	MY294480	Thread stand	1	
22	71D7P00	HP711370	Case fixing box (Cassette type)	2	
23	71D6P00	HP711360	Thread case (Cassette type)	8	
24			Hex. socket set screw M6×6		
25			Hex. socket bolt M5×15		
26			Hex. socket bolt M6×15		
27			Hex. socket bolt M4×10		
28			Hex. socket bolt M5×22		
29			Hex. socket set screw M5×5		
30			Hex. socket set screw M5×8		
31			Hex. socket bolt M4×8		
32			Binding screw M3×6		
33			Trus screw M4×6		
34			Hex. socket bolt M8×30		

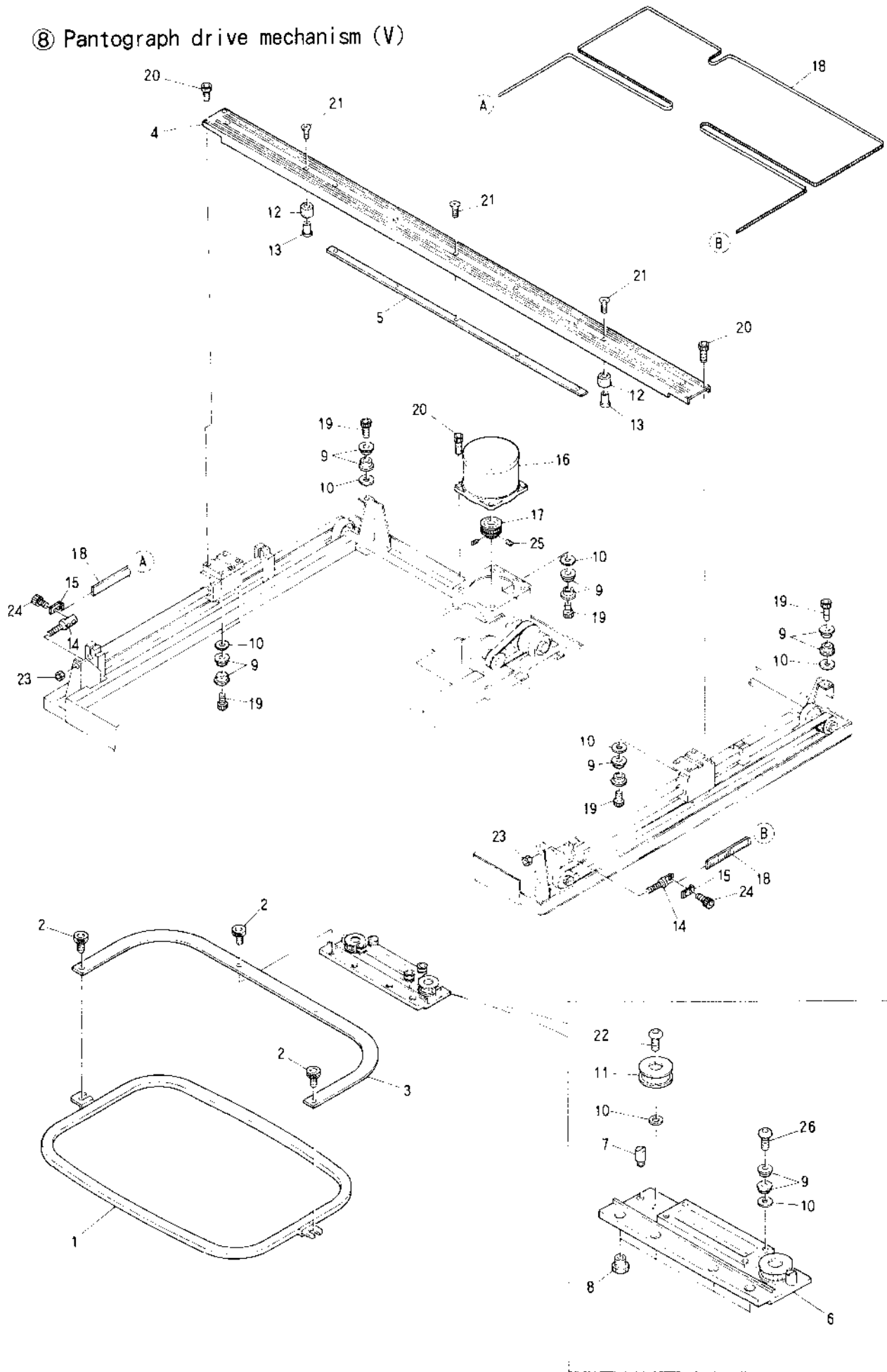
⑦ Pantograph drive mechanism (H)



⑦ Pantograph drive mechanism (H)

ITEM	PART No.	LIST No.	DESCRIPTION	Q'TY	REMARK
1	29408Y0	MY294060	Shaft support	4	
2	91560	A9015060	O Ring P10A	10	
3	91103	A9011123	Felt seal	4	
4	911A3	A9011103	Slide bearing metal bush SMZ10--20	4	
5	29407Y0	MY294070	H-axis sliding housing	2	
6	29403Y0	MY294030	Quenching slide shaft	2	
7	29404Y0	MY294040	Fixing plate	2	
8	920C1	A9020121	Timing belt 100S5M1295	2	
9	29405Y0	MY294050	H-axis tension plate	2	
10			Hex. nut M6		
11			Hex. socket bolt M6×20		
12	29411Y0	MY294110	H-axis driving pulley	2	
13	29412Y0	MY294120	H axis driving pulley	2	
14	91120	A9011020	Bearing unit NACHI UP001	3	
15	29409Y0	MY294090	H-axis reduction pulley	1	
16	55X0030	EBN01220	Pulse motor 103-815-1140	1	
17	29413Y0	MY294130	H-axis motor mount	1	
18	29410Y0	MY294100	H-axis motor pulley	1	
19	920C2	A9020122	Timing pulley 100S5M325	1	
20	29408Y0	MY294080	H-axis driving shaft	1	
21			Hex. socket bolt M5×12		
22			Hex. socket bolt M5×18		
23			Hex. socket bolt M5×15		
24			Hex. nut M5		
25			Hex. socket set screw M5×5		
26			Hex. socket bolt M5×10		
27			Hex. socket bolt M6×35		

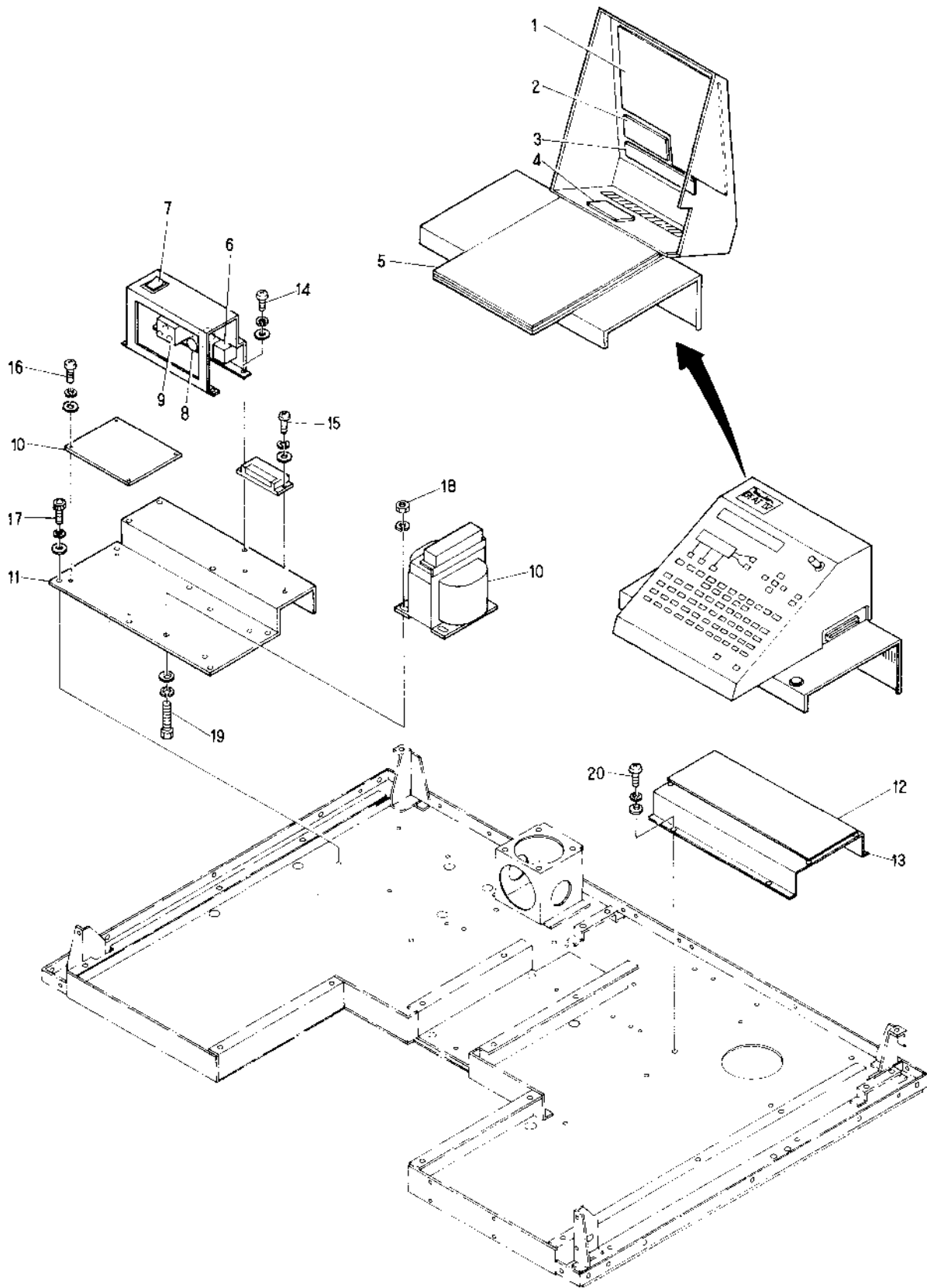
⑧ Pantograph drive mechanism (V)



⑧ Pantograph drive mechanism (V)

ITEM	PART No.	LIST No.	DESCRIPTION	QTY	REMARK
1	29459Y0	MY 2 9 4 5 9 0	Plastic pantograph 480 < 300 (BEAT 4 with arm)	1	
2	7379F	K F 7 3 0 7 9 0	Knurling screw for pantograph	4	
3	29420Y0	MY 2 9 4 2 0 0	Pantograph fixing arm	1	
4	29417Y0	MY 2 9 4 1 7 0	Rail cover	1	
5	29416Y0	MY 2 9 4 1 6 0	Rail (V-axis)	1	
6	29419Y0	MY 2 9 4 1 9 0	V-axis sliding base plate	1	
7	29418Y0	MY 2 9 4 1 8 0	V-axis stopper pin	2	
8	29387V0	MV 2 9 3 8 7 0	Nut for pantograph	4	
9	91032	A 9 0 1 0 0 3 2	Bearing (L805ZZ : RF145GZZ)	2 4	
10	91360	A 9 0 1 3 0 6 0	Shim ring PS5×10×0.5	1 4	
11	29423Y0	MY 2 9 4 2 3 0	V-axis driver pulley	2	
12	29421Y0	MY 2 9 4 2 1 0	Urethane rubber	2	
13	29422Y0	MY 2 9 4 2 2 0	Shaft for Urethane	2	
14	29415Y0	MY 2 9 4 1 5 0	V-axis tension screw	2	
15	29414Y0	MY 2 9 4 1 4 0	Fixing plate (V)	2	
16	55X0C20	E B N 0 1 2 1 0	Pulse motor 103-809-161C	1	
17	29424Y0	MY 2 9 4 2 4 0	V axis motor pulley	1	
18	92003	A 9 0 2 0 1 2 3	Timing belt 60S2M4320	1	
19			Hex. socket bolt M5×20		
20			Hex. socket bolt M5×15		
21			Hex. socket flush screw M4×10		
22			Hex. socket bottom bolt M5×15		
23			Hex. nut M4		
24			Hex. socket bolt M3×8		
25			Hex. socket set screw M5×5		
26			Hex. socket bottom bolt M5×20		

⑨ Control system



I N D E X

L I S T No.	PART No.	PAGENO.	ITEM	L I S T No.	PART No.	PAGENO.	ITEM
A 9 0 1 0 0 0 9	91009	1 1	1 0	HP 2 4 0 0 2 0	2402P00	1 1	1
A 9 0 1 0 0 1 7	91017	5	5	HP 2 4 1 1 3 0	24B3P00	1 1	1 9
A 9 0 1 0 0 3 2	91032	1 7	9	HP 2 4 1 1 4 0	24B4P00	1 1	1 9
A 9 0 1 1 0 2 0	91120	1 5	1 4	HP 2 4 1 1 5 0	24B5P00	9	1 1
A 9 0 1 1 0 2 1	91121	7	2 2	HP 2 4 1 1 6 0	24B6P00	9	3
A 9 0 1 1 0 2 2	91122	7	2 3	HP 2 4 1 1 7 0	24B7P00	9	9
A 9 0 1 1 0 2 3	91123	7	2 1	HP 2 4 1 1 8 0	24B8P00	9	9
A 9 0 1 1 1 0 3	911A3	1 5	4	HP 2 4 1 1 9 0	24B9P00	9	7
A 9 0 1 1 1 2 3	911C3	1 5	3	HP 2 4 1 2 0 0	24C0P00	9	7
A 9 0 1 2 0 0 7	91207	5	3 4	HP 2 4 1 2 1 0	24C1P00	1 1	1 8
A 9 0 1 2 0 2 7	91227	5	5 7	HP 2 4 1 3 7 1	24D7P01	9	4
A 9 0 1 2 0 7 7	91277	1 3	2	HP 2 4 1 3 8 1	24D8P01	9	4
A 9 0 1 2 1 7 4	912H4	3	7	HP 2 4 1 3 9 0	24D9P00	9	5
A 9 0 1 2 2 1 5	912L5	3	1 3	HP 2 4 1 4 1 0	24E1P00	9	1 2
A 9 0 1 3 0 6 0	91360	1 7	1 0	HP 2 4 1 4 5 0	24E5P00	9	8
A 9 0 1 4 0 6 3	91463	5	6 0	HP 2 4 1 4 6 0	24E6P00	9	8
A 9 0 1 5 0 6 0	91560	1 5	2	HP 2 4 1 4 7 0	24E7P00	9	1 0
A 9 0 2 0 1 2 1	920C1	1 5	8	HP 2 4 1 4 8 0	24E8P00	9	1 0
A 9 0 2 0 1 2 2	920C2	1 3	1 2	HP 2 5 0 0 5 0	2505P00	9	1 7
A 9 0 2 0 1 2 2	920C2	1 5	1 9	HP 2 5 0 5 8 1	2558P01	9	1 6
A 9 0 2 0 1 2 3	920C3	1 7	1 8	HP 7 1 1 3 6 0	71D6P00	1 3	2 3
A 9 0 6 4 0 0 3	96403	7	6 4	HP 7 1 1 3 7 0	71D7P00	1 3	2 2
A 9 0 6 4 0 0 4	96404	7	6 6	KC 2 2 0 2 1 0	2221C	5	4 0
A 9 0 6 4 0 0 5	96405	7	6 5	KC 2 5 0 4 7 1	2547C01	5	5 5
EBN 0 1 2 0 0	55X0010	1 3	1 1	KC 2 5 0 4 8 1	2548C01	5	5 4
EBN 0 1 2 1 0	55X0020	1 7	1 6	KC 4 5 0 1 1 0	4511C	7	6 3
EBN 0 1 2 2 0	55X0030	1 5	1 6	KC 5 1 0 2 4 0	5124C	1 3	1 5
EBN 0 1 2 2 0	55X0030	1 9	1 2	KF 2 2 0 1 3 0	2213F	5	1 1
EBN 0 1 2 4 0	55X0050	1 9	5	KF 2 2 0 2 3 0	2223F	5	4 4
EBN 0 1 2 5 0	55X0060	1 9	1	KF 2 2 0 2 7 0	2227F	5	2 7
EBN 0 1 2 8 0	55X0070	1 9	4	KF 2 2 0 2 9 0	2229F	5	3 7
EBN 0 1 2 9 0	55X0080	1 9	3	KF 2 2 0 4 1 0	2241F	5	5 1
EBN 0 1 3 0 0	55X0090	1 9	2	KF 2 2 0 4 4 0	2244F00	5	5 2
EBN 0 1 3 2 0	55X0110	1 9	1 0	KF 2 2 0 4 6 0	2246F	5	1 9
EBN 0 1 3 3 0	55X0120	1 9	7	KF 2 2 0 4 7 0	2247F	5	2 6
EBN 0 1 3 4 0	55X0130	1 9	9	KF 2 2 0 4 8 0	2248F	5	3 5
EBN 0 1 3 5 0	55X0140	1 9	6	KF 2 2 0 7 5 0	2275F00	5	4 9
EBN 0 1 3 6 0	55X0150	1 9	8	KF 2 2 0 7 8 0	2278F	5	4 9
EBN 0 1 3 7 0	55X0160	9	6	KF 2 3 0 0 1 0	2301F	7	4 2
HP 2 3 1 2 9 0	23C9P00	7	2 9	KF 2 3 0 1 5 0	2315F	7	5 9
HP 2 3 1 3 0 1	23D0P01	7	2 7	KF 2 3 0 1 8 0	2318F	7	4 3
HP 2 3 1 3 1 0	23D1P00	7	2 4	KF 2 3 0 2 1 0	2321F	7	4 5
HP 2 3 1 3 3 0	23D3P00	1 1	9	KF 2 3 0 2 3 0	2323F	7	4 9
HP 2 3 1 3 7 0	23D7P00	7	2 6	KF 2 3 0 2 4 0	2324F	7	5 0
HP 2 3 1 3 9 0	23D9P00	5	1 3	KF 2 3 0 2 5 0	2325F	7	5 1

I N D E X

L I S T No.	PART No.	PAGENO.	ITEM	L I S T No.	PART No.	PAGENO.	ITEM
KF 2 3 0 3 2 0	2332F	7	2	KL 2 2 0 1 3 0	2213L00	5	1 4
KF 2 3 0 4 2 0	2342F	5	3 0	KL 2 2 0 1 4 0	2214L00	5	2 0
KF 2 3 0 4 5 0	2345F	7	2 8	KL 2 2 0 1 5 0	2215L00	5	8
KF 2 3 0 4 8 0	2348F	7	3 0	KL 2 3 0 0 0 0	2300L00	7	1
KF 2 3 0 5 0 0	2350F	7	3 7	KL 2 3 0 0 1 0	2301L00	7	3 4
KF 2 3 0 5 1 2	2351F02	7	3	KL 2 3 0 0 2 0	2302L00	7	3 2
KF 2 3 0 5 2 1	2352F01	7	4	KL 2 3 0 0 3 0	2303L00	7	3 3
KF 2 3 0 5 8 0	2358F	7	4 0	KL 2 3 0 0 7 0	2307L00	7	3 9
KF 2 3 0 6 3 0	2363F	7	1 0	KL 2 3 0 0 8 0	2308L00	7	3 9
KF 2 3 0 6 5 0	2365F	7	9	KL 2 3 0 1 1 0	2311L00	7	5 3
KF 2 3 0 6 7 0	2367F	7	2 0	KL 2 3 0 1 3 0	2313L00	7	5 2
KF 2 3 0 9 1 0	2391F	7	4 7	KL 2 3 0 1 4 0	2314L00	7	3 1
KF 2 3 0 9 2 0	2392F	7	4 6	KL 2 3 0 1 5 0	2315L00	7	1 9
KF 2 3 0 9 3 0	2393F	7	4 8	KL 2 3 0 1 7 0	2317L00	7	3 5
KF 2 4 0 0 3 0	2403F	1 1	2	KL 2 3 0 1 9 0	2319L00	7	4 1
KF 2 4 0 1 8 0	2418F00	1 1	2 0	KL 2 3 0 2 0 0	2320L00	7	4 1
KF 2 4 0 2 0 0	2420F00	1 1	3	KL 2 5 0 0 0 0	2500L00	9	1 4
KF 2 4 0 4 2 0	2442F	1 1	1 3	KL 2 5 0 0 1 0	2501L00	9	1 4
KF 2 4 0 4 5 0	2445F	1 1	5	KL 2 5 0 0 5 0	2505L00	5	5 9
KF 2 4 0 4 6 0	2446F	1 1	1 2	KN 2 3 0 4 1 0	2341N00	5	3 1
KF 2 4 0 4 7 0	2447F	1 1	1 1	KN 2 3 0 4 3 0	2343N00	5	3 3
KF 2 4 0 4 8 0	2448F	1 1	8	KN 5 4 0 5 7 0	5457N00	9	2
KF 2 4 0 4 9 0	2449F	1 1	7	KN 5 4 0 5 8 0	5458N00	9	2
KF 2 4 0 6 1 0	2461F	1 1	1 4	KU 2 4 1 4 0 0	2460U00	9	1 3
KF 2 4 0 9 3 1	2493F01	9	1 5	MA 2 2 0 5 1 0	2251A	5	4 5
KF 2 5 0 9 0 0	2590F	5	4 2	MA 2 5 0 1 3 1	2513A01	5	4 3
KF 7 3 0 7 9 0	7379F	1 7	2	MT 5 1 0 2 1 0	5121T00	1 3	1 7
KG 2 1 0 9 1 1	2191G01	5	5 6	MV 2 9 3 8 7 0	29387V0	1 7	8
KG 2 3 0 0 2 0	2302G	7	4 4	MY 2 4 4 6 6 0	29466Y0	3	1 6
KG 2 3 0 6 1 0	2361G	7	1 7	MY 2 9 4 0 0 0	29400Y0	5	2 3
KG 2 4 1 0 2 0	24A2G	9	1	MY 2 9 4 0 1 0	29401Y0	5	2 3
KG 2 5 0 0 1 0	2501G	9	1 7	MY 2 9 4 0 2 0	29402Y0	3	9
KL 2 1 0 1 3 0	2113L00	5	4 7	MY 2 9 4 0 3 0	29403Y0	1 5	6
KL 2 2 0 0 0 0	2200L00	5	1 6	MY 2 9 4 0 4 0	29404Y0	1 5	7
KL 2 2 0 0 1 0	2201L00	5	2 4	MY 2 9 4 0 5 0	29405Y0	1 5	9
KL 2 2 0 0 2 0	2202L00	5	2 9	MY 2 9 4 0 6 0	29406Y0	1 5	1
KL 2 2 0 0 3 0	2203L00	5	1 5	MY 2 9 4 0 7 0	29407Y0	1 5	5
KL 2 2 0 0 4 0	2204L00	5	6	MY 2 9 4 0 8 0	29408Y0	1 5	2 0
KL 2 2 0 0 5 0	2205L00	5	2 1	MY 2 9 4 0 9 0	29409Y0	1 5	1 5
KL 2 2 0 0 6 0	2206L00	5	2 5	MY 2 9 4 1 0 0	29410Y0	1 5	1 8
KL 2 2 0 0 7 0	2207L00	5	3 6	MY 2 9 4 1 1 0	29411Y0	1 5	1 2
KL 2 2 0 0 8 0	2208L00	5	1 2	MY 2 9 4 1 2 0	29412Y0	1 5	1 3
KL 2 2 0 0 9 0	2209L00	5	4	MY 2 9 4 1 3 0	29413Y0	1 5	1 7
KL 2 2 0 1 1 0	2211L00	5	3	MY 2 9 4 1 4 0	29414Y0	1 7	1 5
KL 2 2 0 1 2 0	2212L00	5	4 1	MY 2 9 4 1 5 0	29415Y0	1 7	1 4

I N D E X

L I S T No.	PART No.	PAGE No.	ITEM	L I S T No.	PART No.	PAGE No.	ITEM
MY 2 9 4 1 6 0	29416Y0	1 7	5	MY 2 9 4 6 3 0	29463Y0	7	6 0
MY 2 9 4 1 7 0	29417Y0	1 7	4	MY 2 9 4 6 4 0	29464Y0	1 9	1 1
MY 2 9 4 1 8 0	29418Y0	1 7	7	MY 2 9 4 6 5 0	29465Y0	1 9	1 3
MY 2 9 4 1 9 0	29419Y0	1 7	6				
MY 2 9 4 2 0 0	29420Y0	1 7	3				
MY 2 9 4 2 1 0	29421Y0	1 7	1 2				
MY 2 9 4 2 2 0	29422Y0	1 7	1 3				
MY 2 9 4 2 3 0	29423Y0	1 7	1 1				
MY 2 9 4 2 4 0	29424Y0	1 7	1 7				
MY 2 9 4 2 6 0	29426Y0	1 3	8				
MY 2 9 4 2 7 0	29427Y0	1 3	1 0				
MY 2 9 4 2 8 0	29428Y0	1 3	1 4				
MY 2 9 4 2 9 0	29429Y0	1 3	7				
MY 2 9 4 3 0 0	29430Y0	1 3	9				
MY 2 9 4 3 1 0	29431Y0	1 3	1 3				
MY 2 9 4 3 2 0	29432Y0	3	1 5				
MY 2 9 4 3 3 0	29433Y0	3	1 1				
MY 2 9 4 3 4 0	29434Y0	3	1 2				
MY 2 9 4 3 5 0	29435Y0	3	1 4				
MY 2 9 4 3 6 0	29436Y0	3	8				
MY 2 9 4 3 7 0	29437Y0	1 3	1 8				
MY 2 9 4 3 8 0	29438Y0	3	2				
MY 2 9 4 3 9 0	29439Y0	3	3				
MY 2 9 4 4 0 0	29440Y0	3	4				
MY 2 9 4 4 1 0	29441Y0	3	5				
MY 2 9 4 4 2 0	29442Y0	1 3	6				
MY 2 9 4 4 3 0	29443Y0	1 3	3				
MY 2 9 4 4 4 0	29444Y0	5	1				
MY 2 9 4 4 5 0	29445Y0	1 3	1				
MY 2 9 4 4 6 0	29446Y0	1 3	4				
MY 2 9 4 4 7 0	29447Y0	1 3	5				
MY 2 9 4 4 8 0	29448Y0	1 3	2 1				
MY 2 9 4 4 9 0	29449Y0	1 3	2 0				
MY 2 9 4 5 0 0	29450Y0	1 3	1 9				
MY 2 9 4 5 1 0	29451Y0	7	5 5				
MY 2 9 4 5 2 0	29452Y0	7	5 6				
MY 2 9 4 5 3 0	29453Y0	3	1				
MY 2 9 4 5 4 0	29454Y0	3	1 0				
MY 2 9 4 5 5 0	29455Y0	7	5 7				
MY 2 9 4 5 6 0	29456Y0	7	5 8				
MY 2 9 4 5 8 0	29458Y0	3	6				
MY 2 9 4 5 9 0	29459Y0	1 7	1				
MY 2 9 4 6 0 0	29460Y0	5	7				
MY 2 9 4 6 1 0	29461Y0	7	5 4				
MY 2 9 4 6 2 0	29462Y0	7	6 0				